

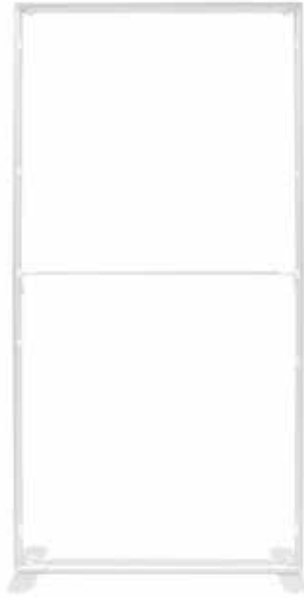
SEGEZ 39X88.25

SEGEZ MODULAR LIGHTBOXES

PRODUCT CODE: SEGEZ-3374



On frame On graphic



TOOL FREE ASSEMBLY



MAGNETIC WIRE CONNECTION



CLEAN CABLE MANAGEMENT



TOOL FREE FOOT CONNECTION

PRODUCT DESCRIPTION

The advanced technology of the new SEGEZ modular lightbox system combines innovation with intuition. Toolless down to its feet, SEGEZ is designed to help heighten your display experience. Magnetic electrical connectors light up the UL certified LED lights that come pre-installed in the profiles. Electrical wires stay hidden from view. Edge-to-edge customizable SEG backlit fabric graphics cover the front and back of the aluminum frame. Portable, configurable, desirable, SEGEZ is a lightbox unlike the others. SEGEZ is so well thought out, even its durable foam cut carry bag is made distinctly to keep all parts and pieces protected and organized.

DISPLAY DIMENSIONS 39"W x 88.25"H x 16.5"D

GRAPHIC SIZE 39.75"W x 88.625"H

GRAPHIC MATERIAL

Dye Sub Backlit Fabric

GRAPHIC FINISHING

Silicone beading sewn onto edge of graphic

DISPLAY CONSTRUCTION

Aluminum extrusion frame with plastic components

SHIPPING WEIGHTS & DIMENSIONS

Shipping Weight 30 lbs (frame only)
32 lbs (frame & graphic)

Shipping Dimensions 54.5"W x 15.5"H x 6.75"D

GRAPHIC TURN AROUND TIME

2 business days after proof approval (up to 5 sets)

AVAILABILITY CA

LED LIGHT SPECIFICATION

BRAND	Osram
POWER	3W
CCT (COLOR TEMP)	6800k
AVERAGE BEAM ANGEL	20°
LM/W	130
AVG LM/M ²	4800-5800
VOLTAGE INPUT	24V

TRANSFORMER SPECIFICATION

POWER RATE 2 TRANSFORMERS	95W, 252W
CERTIFICATES	UL, CE, GEM
VOLTAGE INPUT	100-240V
VOLTAGE OUTPUT	24V

LUMENS

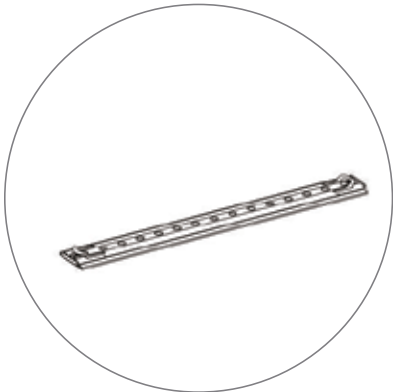
VOLTAGE (V)	24
POWER (W)	90
LM/W	130
TOTAL LM	11700
AVG LM	5850
CU	.8
EAV	4680

SEGEZ 39X88.25

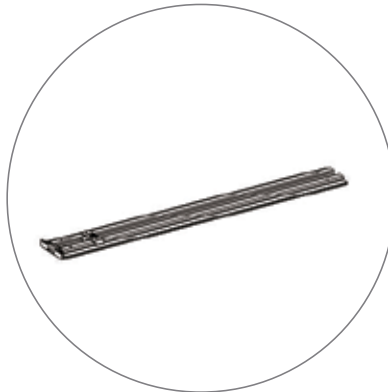
SEGEZ MODULAR LIGHTBOXES

PRODUCT CODE: SEGEZ-3374

PARTS LIST



(qty 2)
Horizontal Profile



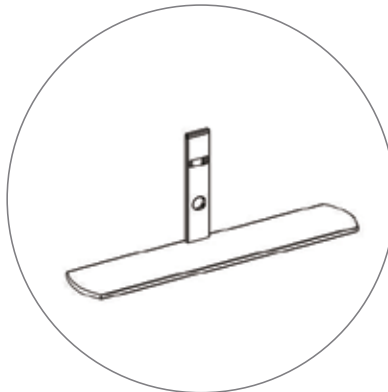
(qty 2)
Vertical Profile Top



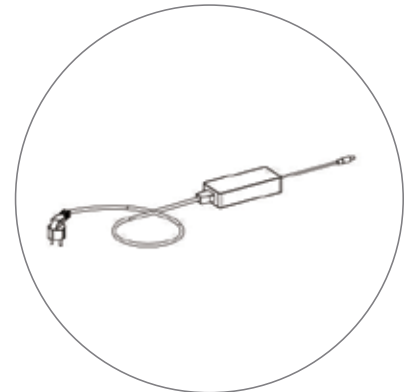
(qty 2)
Vertical Profile Bottom



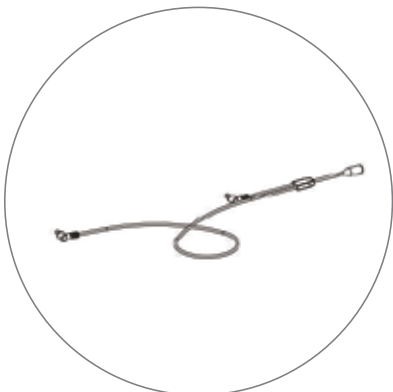
(qty 1)
Mid Pole



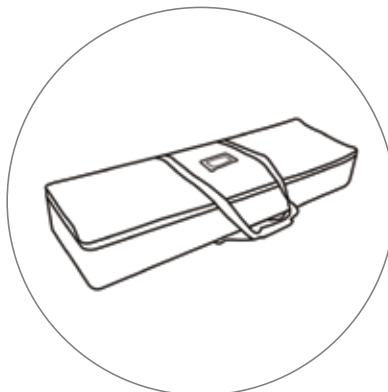
(qty 2)
Feet



(qty 1)
Transformer

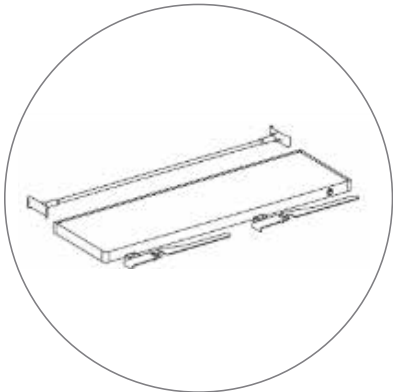


(qty 1)
Y Cable

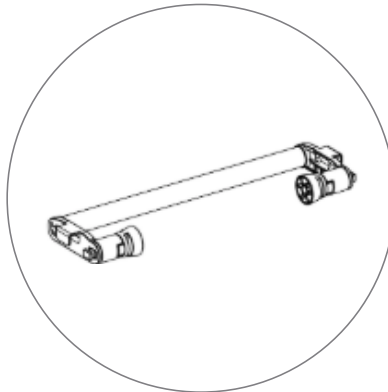


(qty 1)
Travel Bag

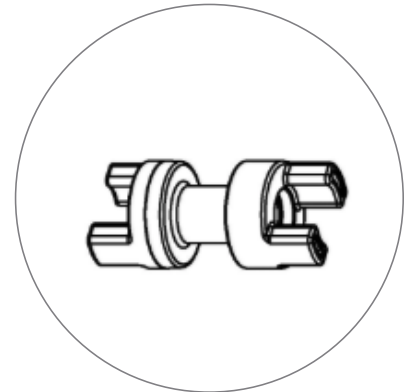
AVAILABLE ACCESSORIES



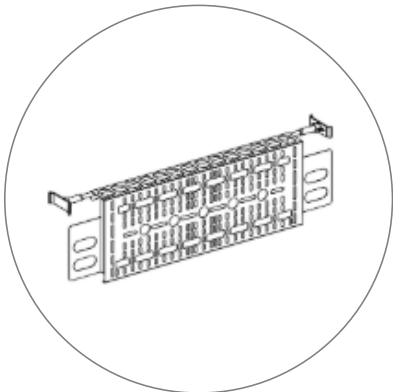
SEGEZ-SKIT
SEGEZ Shelf Kit



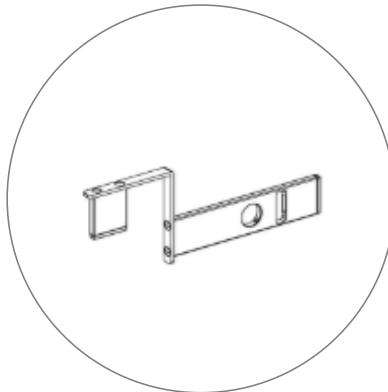
SEGEZ-HP
SEGEZ Hanging Pole for
Shelf Kit



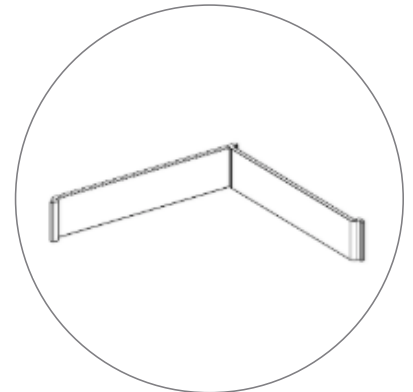
SEGEZ-SCON
SEGEZ Straight Connector



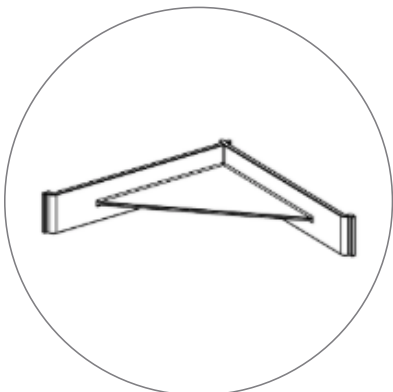
SEGEZ-MM
SEGEZ Monitor Mount



SEGEZ-BC
SEGEZ Bridge Connector



SEGEZ-ILCON
SEGEZ L Connector Inside



SEGEZ-OLCON
SEGEZ L Connector Outside

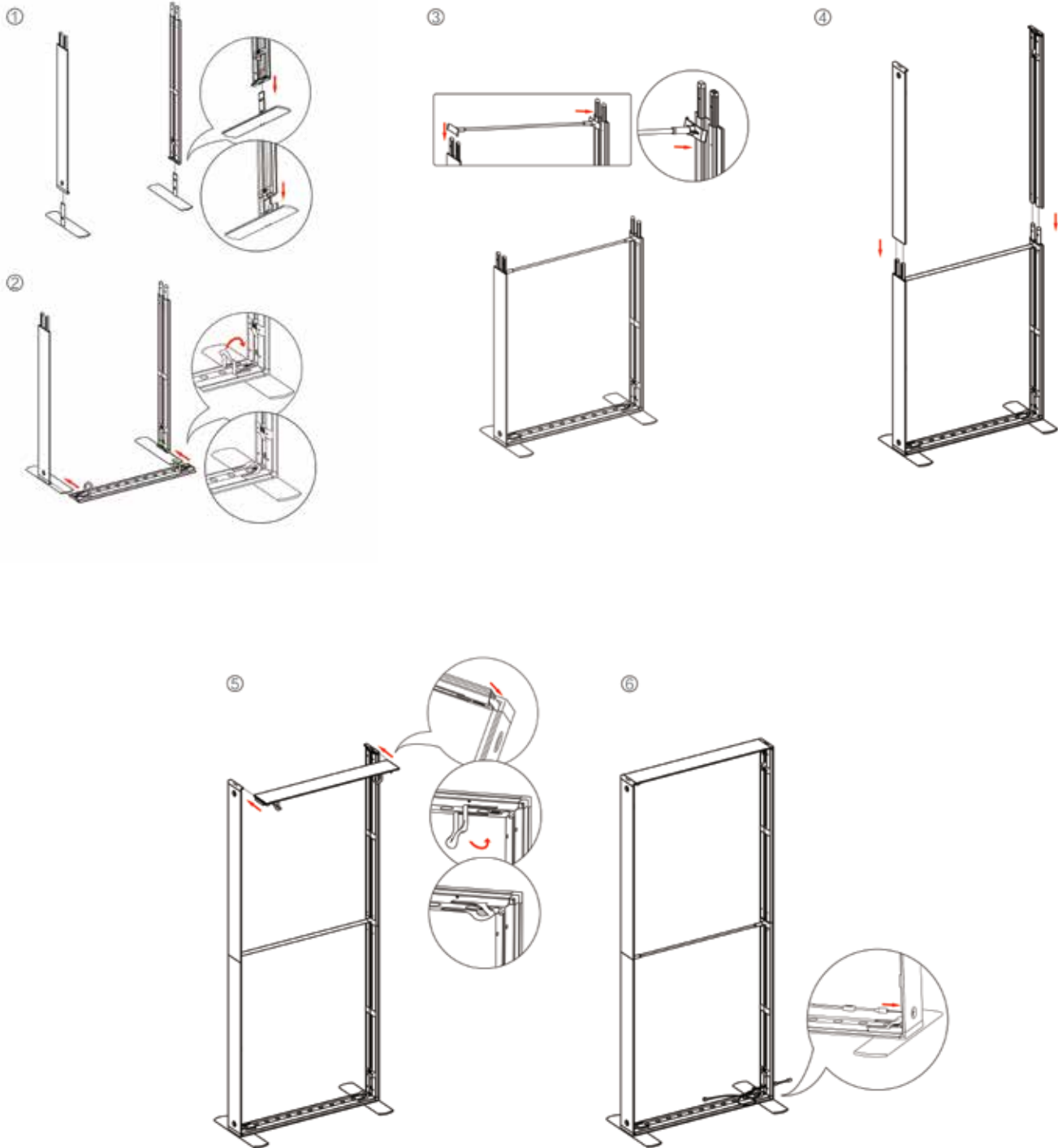


SEGEZ-HLCON
SEGEZ High-low Connector

SEGEZ 39X88.25

SEGEZ MODULAR LIGHTBOXES
PRODUCT CODE: SEGEZ-3374

SET UP INSTRUCTIONS



SEGEZ 39X88.25

SEGEZ MODULAR LIGHTBOXES
PRODUCT CODE: SEGEZ-3374

