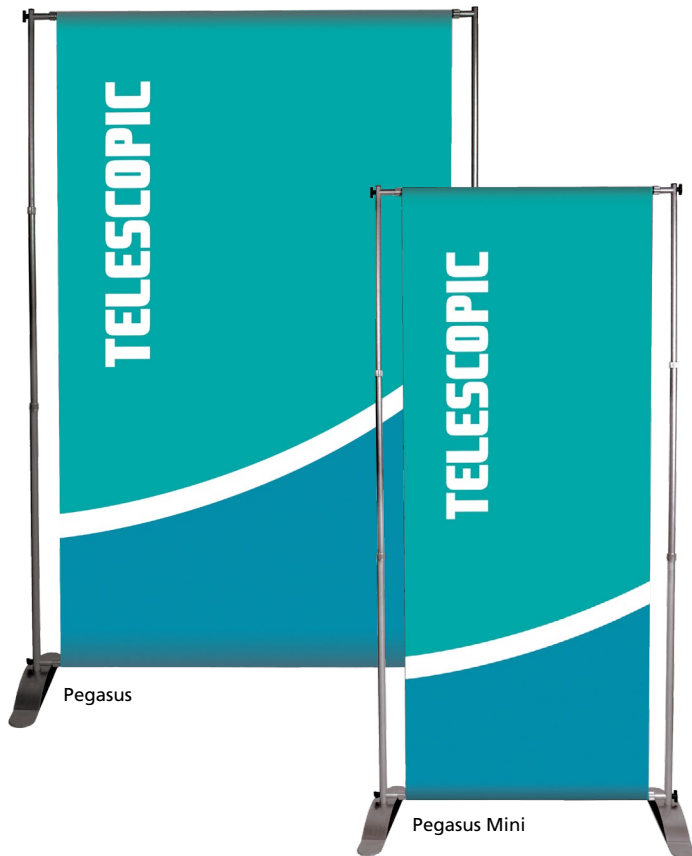


Pegasus

Pegasus: Pegasus Mini:
 Silver: PGSUS-S Silver: PGSUS-MIN-S
 Black: PGSUS-B Black: PGSUS-MIN-B

The Pegasus and Pegasus Mini are fully adjustable banner stands that are easy to set up and fit a variety of graphic sizes. From a small banner stand to a large backwall, either Pegasus will fit your needs.



features and benefits:

- Easy to store
- Single or double sided graphics
- Allows for custom size graphics
- Steel feet for stability
- Telescopic pole for adjustable graphic width and height
- Nylon bag for easy transportation
- One year warranty against manufacturer defects

dimensions:

Hardware	Graphic
Assembled unit: Pegasus: Min: 56.25" w x 39.375" h x 17.375" d 1429mm(w) x 1000mm(h) x 441mm(d) Max: 100" w x 99" h x 17.35" d 2540mm(w) x 2515mm(h) x 441mm(d) Pegasus mini: Min: 39.375" w x 32.25" h x 18" d 1000.125mm(w) x 819.15mm(h) x 475.2mm(d) Max: 52.375" w x 99" h x 18" d 1330.325mm(w) x 2514.6mm(h) x 475.2mm(d) Foot dimensions: 18" d x 3" w / 457mm(w) x 76mm(h)	Total visible area: Pegasus: 52.5" - 95" w x 36" - 96" h 1333.5mm - 2413mm (w) x 914.4mm - 2438.4mm(h) (plus 4.25"/107.95mm bleed on top and bottom for 1"/25.4mm diameter pole pocket) Pegasus Mini: 27.5" - 48" w x 36.5" - 96" h 698.5 - 1219.2mm(w) x 927.1mm - 2438.4mm(h) (plus 4.25"/107.95mm bleed on top and bottom for 1"/25.4mm diameter pole pocket) Refer to related graphic template for more information

Shipping

Shipping dimensions:

Pegasus:
 41" w x 8" h x 5" d, 15 lbs.
 1041.4mm(w) x 203.2mm(h) x 127mm(d), 3.8 kg

 Pegasus mini:
 37" w x 7" h x 4" d, 13 lbs
 939.8mm(w) x 177.8mm(h) x 101.6mm(d), 5.89 kg

additional information:

Graphic materials:
 13 oz. smooth vinyl, 7 oz. light cotton,
 13 oz. scrim, 14 oz. anti-curl vinyl, 8 oz. oxford*

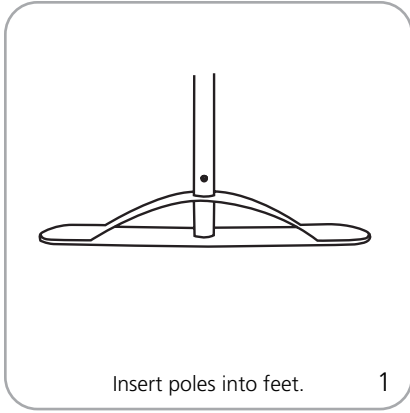
Included in Kit:
 2 feet, 2 uprights, 4 cross poles, 2 screws,
 4 thumb screws

*Not all materials are available in maximum widths, please check with representative

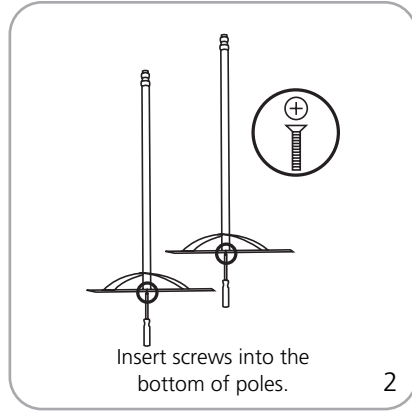


We are continually improving and modifying our product range and reserve the right to vary the specifications without prior notice. All dimensions and weights quoted are approximate and we accept no responsibility for variance. E&OE. See Graphic Templates for graphic bleed specifications.

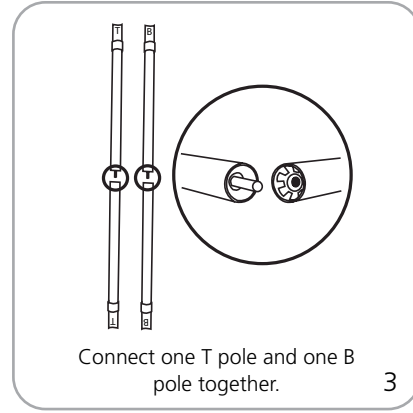
SETUP



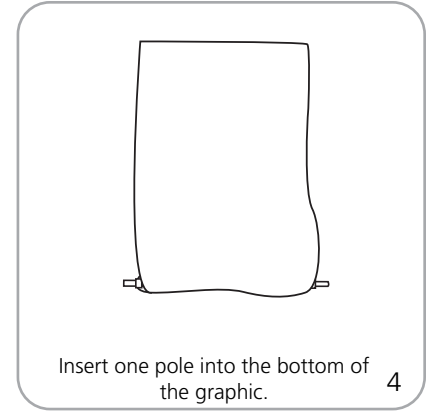
Insert poles into feet.



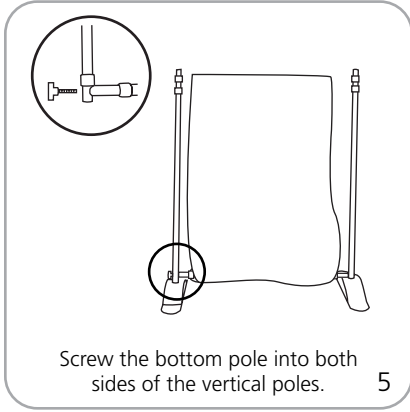
Insert screws into the bottom of poles.



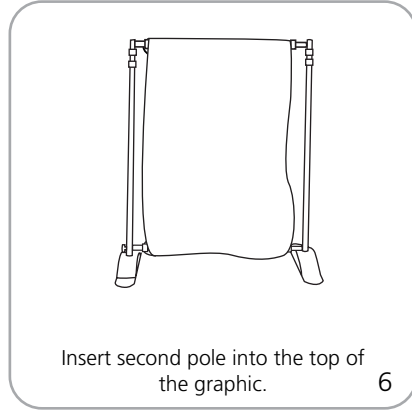
Connect one T pole and one B pole together.



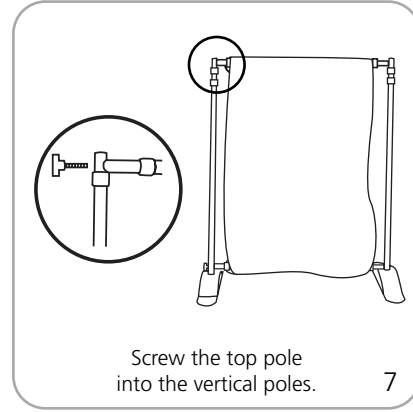
Insert one pole into the bottom of the graphic.



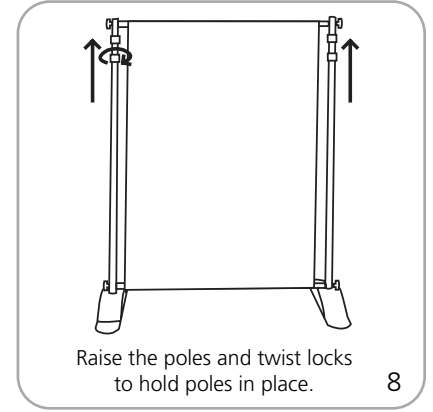
Screw the bottom pole into both sides of the vertical poles.



Insert second pole into the top of the graphic.



Screw the top pole into the vertical poles.



Raise the poles and twist locks to hold poles in place.

