

# SEGEZ 78.375X88.25

SEGEZ MODULAR LIGHTBOXES  
PRODUCT CODE: SEGEZ-6574



On frame On graphic



## PRODUCT DESCRIPTION

The advanced technology of the new SEGEZ modular lightbox system combines innovation with intuition. Toolless down to its feet, SEGEZ is designed to help heighten your display experience. Magnetic electrical connectors light up the UL certified LED lights that come pre-installed in the profiles. Electrical wires stay hidden from view. Edge-to-edge customizable SEG backlit fabric graphics cover the front and back of the aluminum frame. Portable, configurable, desirable, SEGEZ is a lightbox unlike the others. SEGEZ is so well thought out, even its durable foam cut carry bag is made distinctly to keep all parts and pieces protected and organized.

DISPLAY DIMENSIONS	78.375"W x 88.25"H x 16.5"D
GRAPHIC SIZE	78.125"W x 88.625"H

## GRAPHIC MATERIAL

Dye Sub Backlit Fabric

## GRAPHIC FINISHING

Silicone beading sewn onto edge of graphic

## DISPLAY CONSTRUCTION

Aluminum extrusion frame with plastic components

## SHIPPING WEIGHTS & DIMENSIONS

Shipping Weight (Each Box - 2 boxes total)	30 lbs (frame only)
	32 lbs (frame & graphic)
Shipping Dimensions	54.5"W x 15.5"H x 6.75"D (each)

## GRAPHIC TURN AROUND TIME

2 business days after proof approval (up to 5 sets)

AVAILABILITY	CA
--------------	----

## LED LIGHT SPECIFICATION

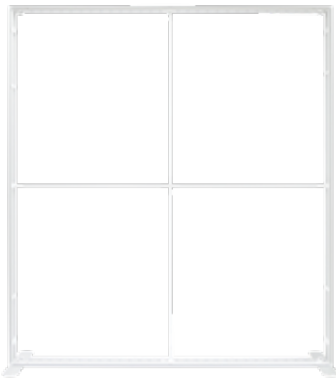
BRAND	Osram
POWER	3W
CCT (COLOR TEMP)	6800k
AVERAGE BEAM ANGEL	20 °
LM/W	130
AVG LM/M <sup>2</sup>	4800-5800
VOLTAGE INPUT	24V

## LUMENS

VOLTAGE (V)	24
POWER (W)	180
LM/W	130
TOTAL LM	23400
AVG LM	5850
CU	.8
EAV	4680

## TRANSFORMER SPECIFICATION

POWER RATE 2 TRANSFORMERS	95W, 252W
CERTIFICATES	UL, CE, GEM
VOLTAGE INPUT	100-240V
VOLTAGE OUTPUT	24V



SUPPORT CONNECTION



TOOL FREE ASSEMBLY



MAGNETIC WIRE CONNECTION



CLEAN CABLE MANAGEMENT



TOOL FREE FOOT CONNECTION

# SEGEZ 78.375X88.25

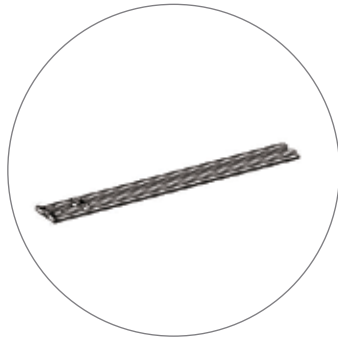
SEGEZ MODULAR LIGHTBOXES

PRODUCT CODE: SEGEZ-6574

## PARTS LIST



(qty 2)  
Horizontal Profile L



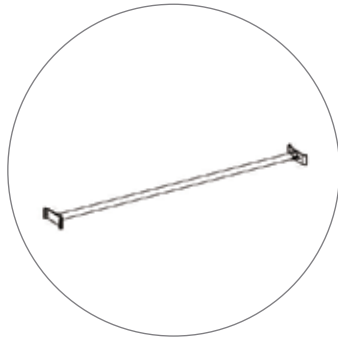
(qty 2)  
Vertical Profile Top



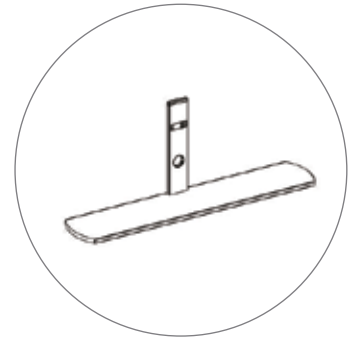
(qty 2)  
Vertical Profile Bottom



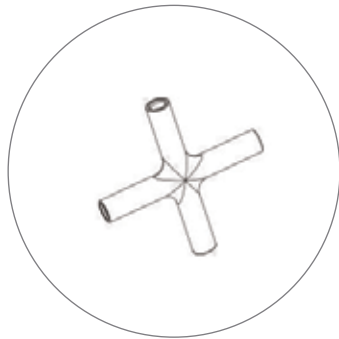
(qty 2)  
Horizontal Profile R



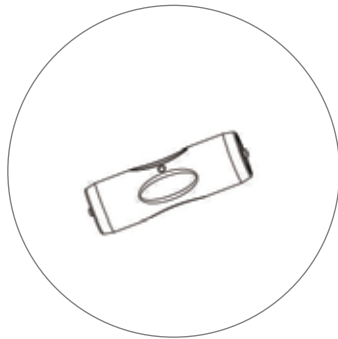
(qty 4)  
Mid Pole



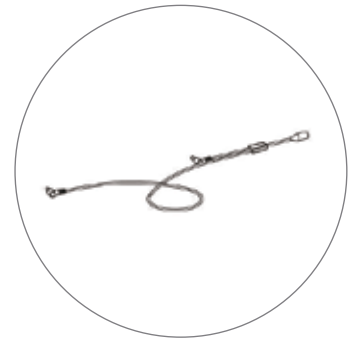
(qty 2)  
Feet



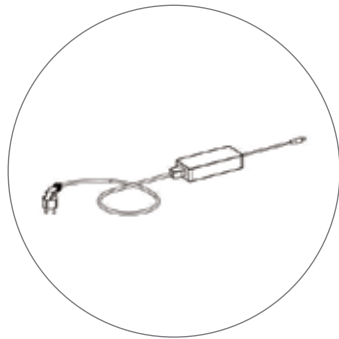
(qty 1)  
MP Cross



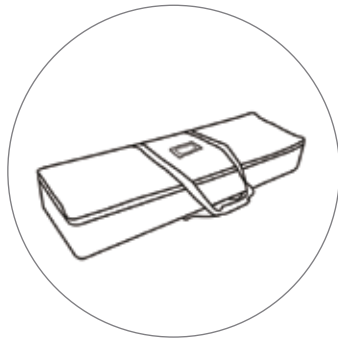
(qty 1)  
LED Connector



(qty 1)  
Y Cable

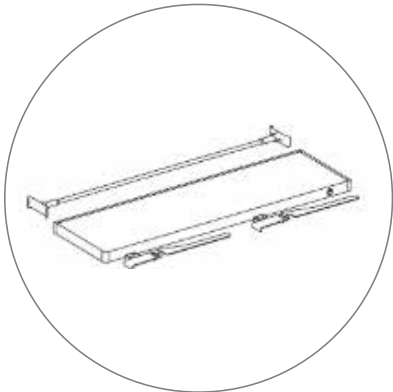


(qty 1)  
Transformer

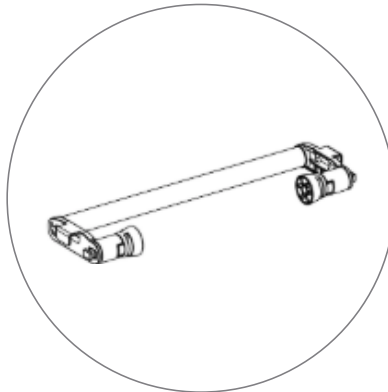


(qty 1)  
Travel Bag

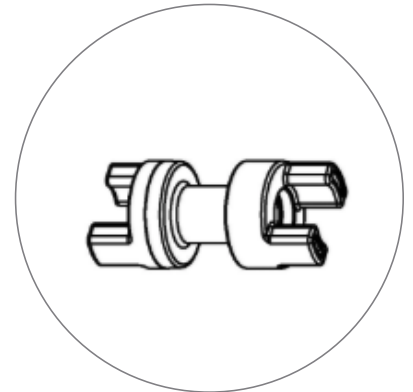
## AVAILABLE ACCESSORIES



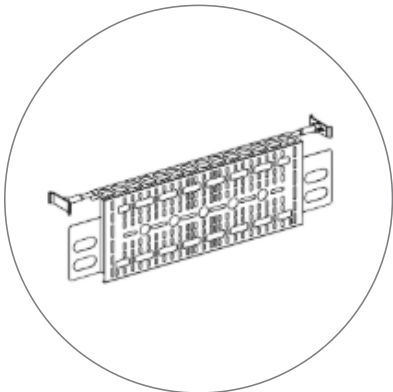
SEGEZ-SKIT  
SEGEZ Shelf Kit



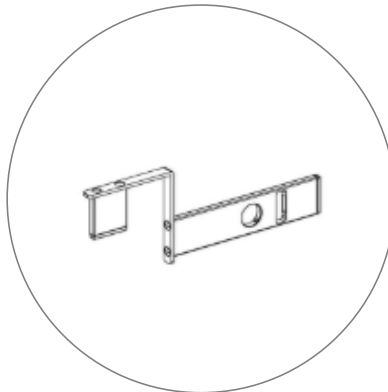
SEGEZ-HP  
SEGEZ Hanging Pole for  
Shelf Kit



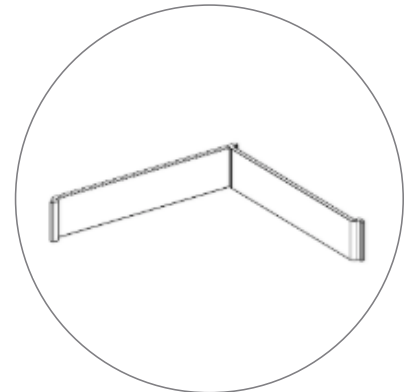
SEGEZ-SCON  
SEGEZ Straight Connector



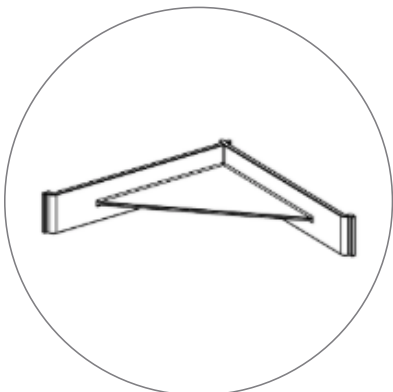
SEGEZ-MM  
SEGEZ Monitor Mount



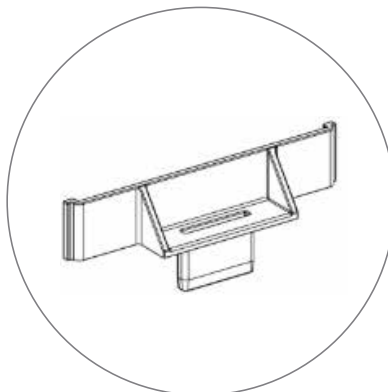
SEGEZ-BC  
SEGEZ Bridge Connector



SEGEZ-ILCON  
SEGEZ L Connector Inside



SEGEZ-OLCON  
SEGEZ L Connector Outside



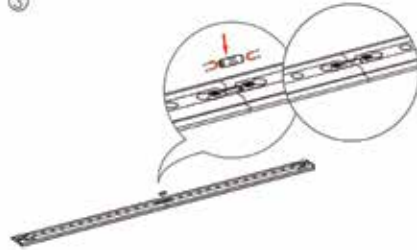
SEGEZ-HLCON  
SEGEZ High-low Connector

## SET UP INSTRUCTIONS

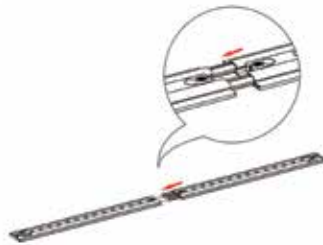
①



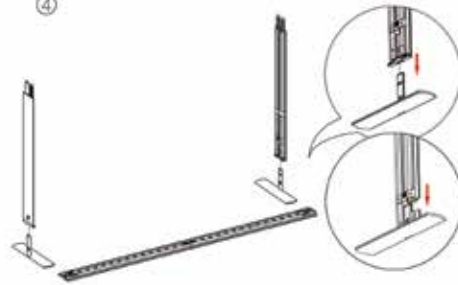
③



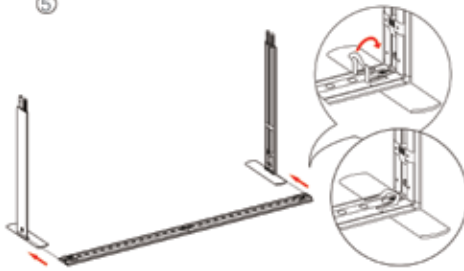
②



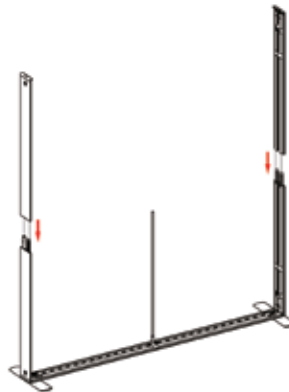
④



⑤



⑦



⑥

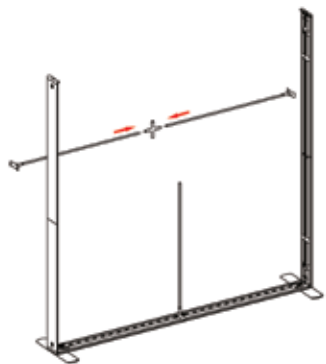


# SEGEZ 78.375X88.25

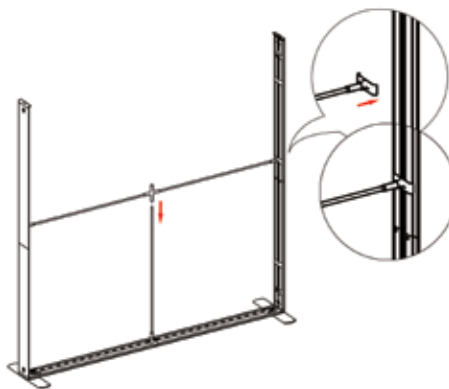
SEGEZ MODULAR LIGHTBOXES

PRODUCT CODE: SEGEZ-6574

8



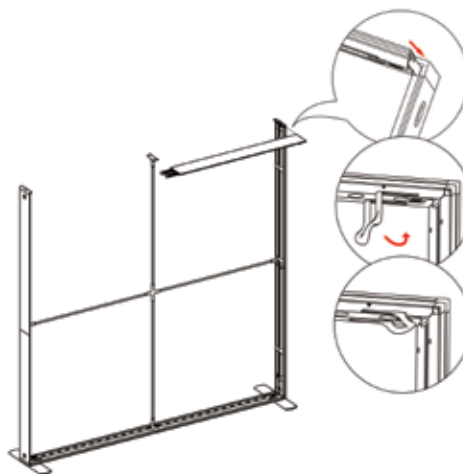
9



10



11



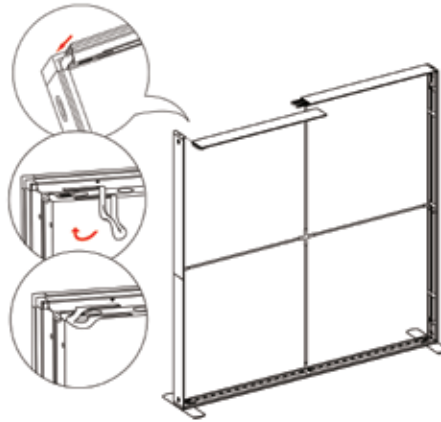
# SEGEZ 78.375X88.25

SEGEZ MODULAR LIGHTBOXES  
PRODUCT CODE: SEGEZ-6574

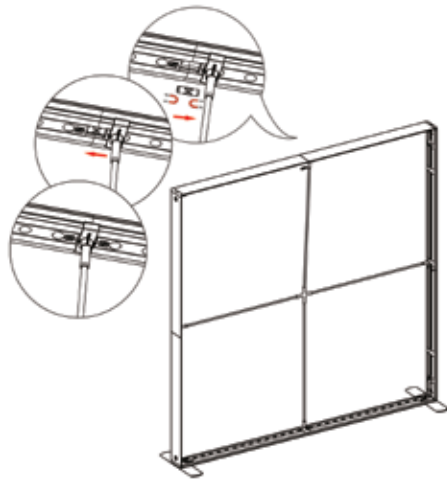
12



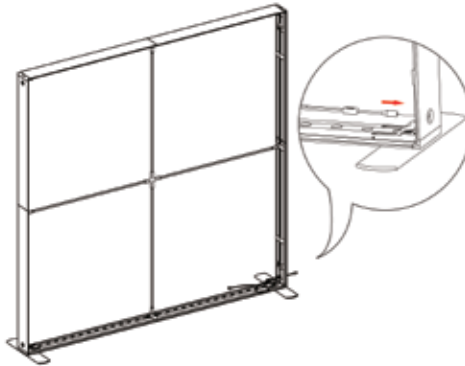
13



14



15



# SEGEZ 78.375X88.25

SEGEZ MODULAR LIGHTBOXES  
PRODUCT CODE: SEGEZ-6574

