

SEGEZ CONFIGURATION A - 236X88.25

SEGEZ MODULAR LIGHTBOXES
PRODUCT CODE: SEGEZ-2010



On frame On graphic



PRODUCT DESCRIPTION

The advanced technology of the new SEGEZ modular lightbox system combines innovation with intuition. Toolless down to its feet, SEGEZ is designed to help heighten your display experience. Magnetic electrical connectors light up the UL certified LED lights that come pre-installed in the profiles. Electrical wires stay hidden from view. Edge-to-edge customizable SEG backlit fabric graphics cover the front and back of the aluminum frame. Portable, configurable, desirable, SEGEZ is a lightbox unlike the others. SEGEZ is so well thought out, even its durable foam cut carry bag is made distinctly to keep all parts and pieces protected and organized.

DISPLAY DIMENSIONS 236"W x 88.25"H x 16.5"D

GRAPHIC SIZE 118.625"W x 88.625"H (each graphic)

GRAPHIC MATERIAL

Dye Sub Backlit Fabric

GRAPHIC FINISHING

Silicone beading sewn onto edge of graphic

DISPLAY CONSTRUCTION

Aluminum extrusion frame with plastic components

SHIPPING WEIGHTS & DIMENSIONS

Shipping Weight 55 lbs (frame only) (per box)
60 lbs (frame & graphic) (per box)

Shipping Dimensions 54.5"W x 15.5"H x 6.75"D (x4 boxes)

GRAPHIC TURN AROUND TIME

2 business days after proof approval (up to 2 configurations)

AVAILABILITY CA

LED LIGHT SPECIFICATION

BRAND	Osram
POWER	3W
CCT (COLOR TEMP)	6800k
AVERAGE BEAM ANGEL	20°
LM/W	130
AVG LM/M ²	4800-5800
VOLTAGE INPUT	24V

TRANSFORMER SPECIFICATION

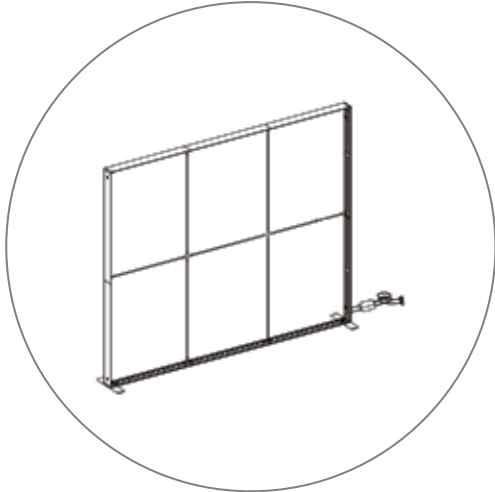
POWER RATE 2 TRANSFORMERS	95W, 252W
CERTIFICATES	UL, CE, GEM
VOLTAGE INPUT	100-240V
VOLTAGE OUTPUT	24V

LUMENS (EACH FRAME)

VOLTAGE (V)	24
POWER (W)	270
LM/W	130
TOTAL LM	35100
AVG LM	5850
CU	.8
EAV	4680



PARTS LIST



(qty 2)
SEGEZ-300X225X12



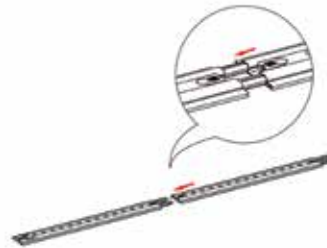
(qty 2)
SEGEZ-SCON

SET UP INSTRUCTIONS SEGEZ 300X225 FRAME ASSEMBLY

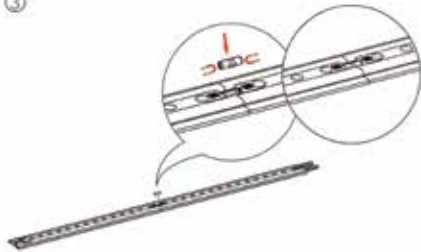
①



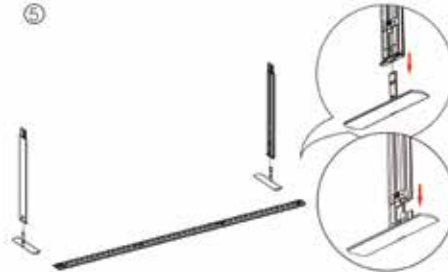
②



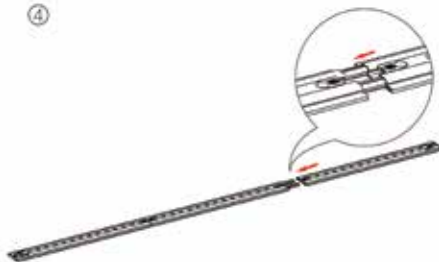
③



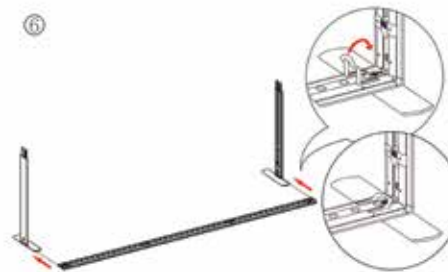
⑤



④



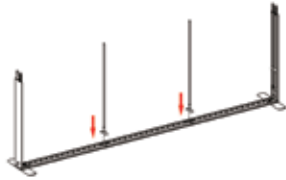
⑥



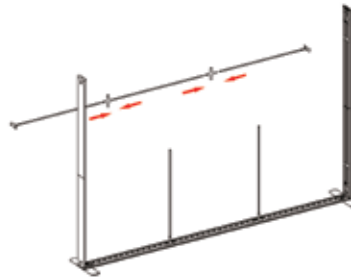
SEGEZ CONFIGURATION A - 236X88.25

SEGEZ MODULAR LIGHTBOXES
PRODUCT CODE: SEGEZ-2010

⑦



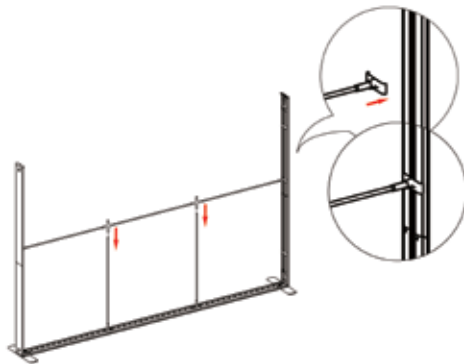
⑧



⑨



⑩



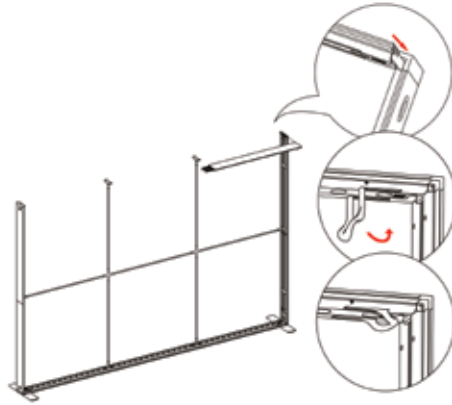
⑪



SEGEZ CONFIGURATION A - 236X88.25

SEGEZ MODULAR LIGHTBOXES
PRODUCT CODE: SEGEZ-2010

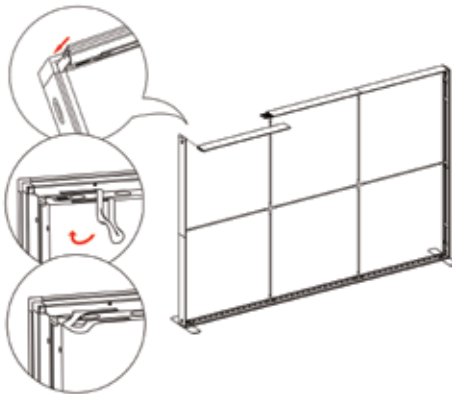
12



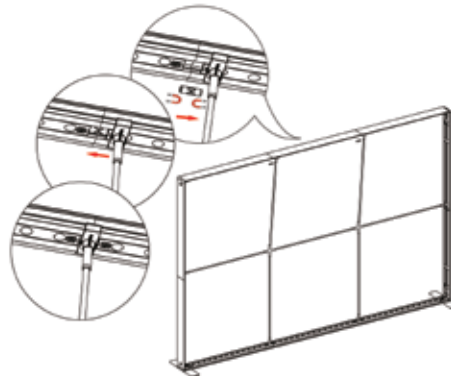
13



14



15

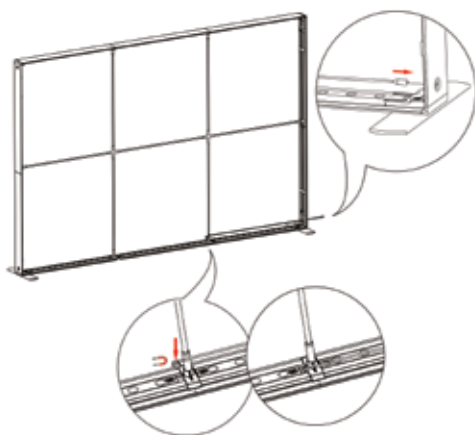


SEGEZ CONFIGURATION A - 236X88.25

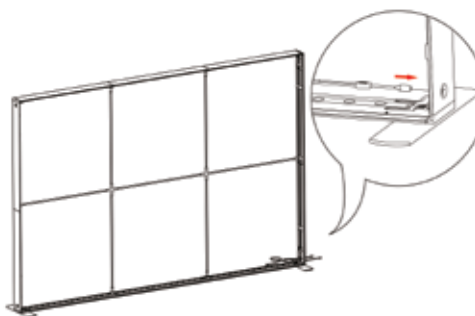
SEGEZ MODULAR LIGHTBOXES

PRODUCT CODE: SEGEZ-2010

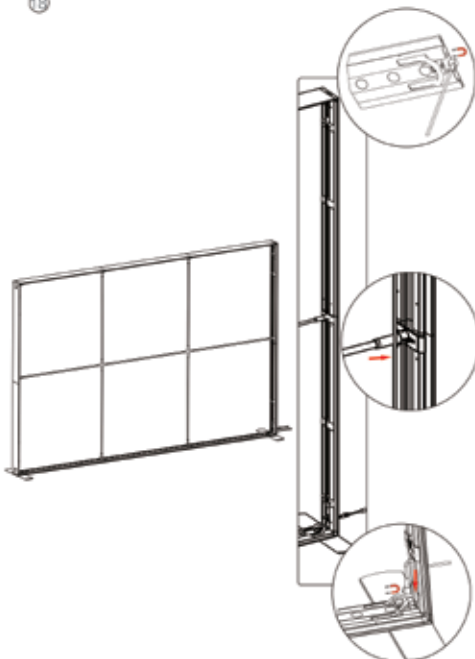
16



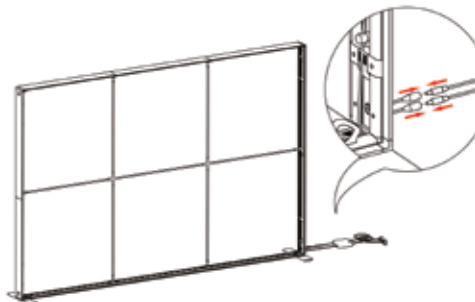
17



18



19



SEGEZ CONFIGURATION A - 236X88.25

SEGEZ MODULAR LIGHTBOXES
PRODUCT CODE: SEGEZ-2010

FRAME CONNECTION

