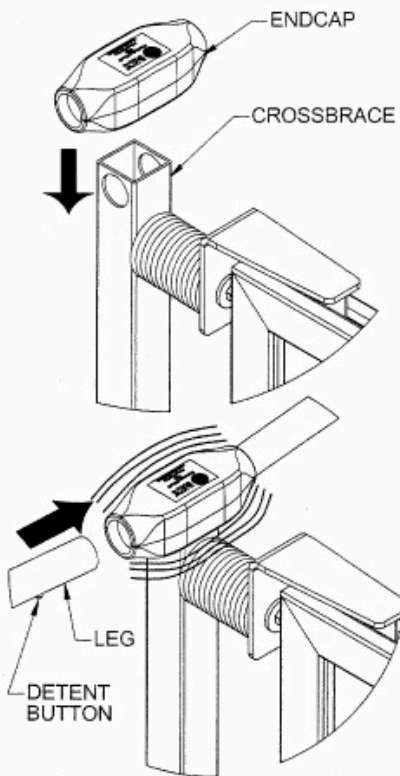


WINDMASTER® CURB DISPLAY

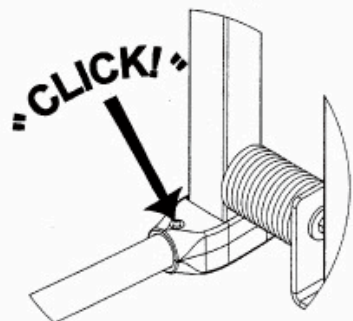


LEG ASSEMBLY:

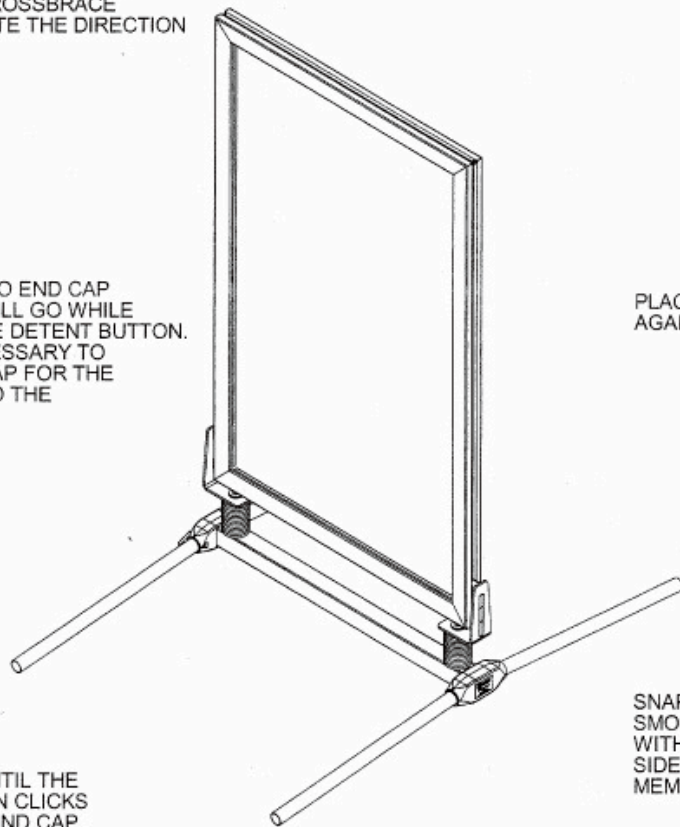
REMOVE CONTENTS FROM PACKAGING LAY FRAME ON CARTON TO PROTECT FINISH

TIP FRAME ON EDGE, PLACE END CAP ON CROSSBRACE AS SHOWN. NOTE THE DIRECTION OF THE LOGO.

SLIDE LEGS INTO END CAP AS FAR AS IT WILL GO WHILE PUSHING IN THE DETENT BUTTON. IT MAY BE NECESSARY TO WIGGLE END CAP FOR THE LEG TO FIT INTO THE CROSSBRACE.

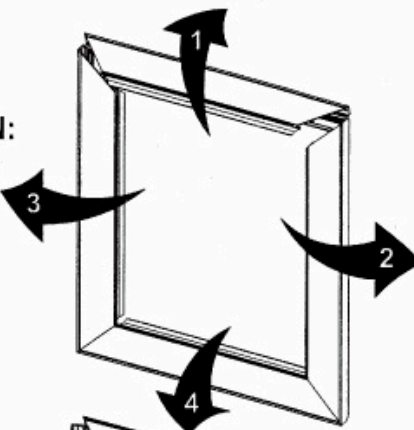


ROTATE LEG UNTIL THE DETENT BUTTON CLICKS INTO HOLE OF END CAP. REPEAT FOR REMAINING LEGS. THEN STAND FRAME UPRIGHT.

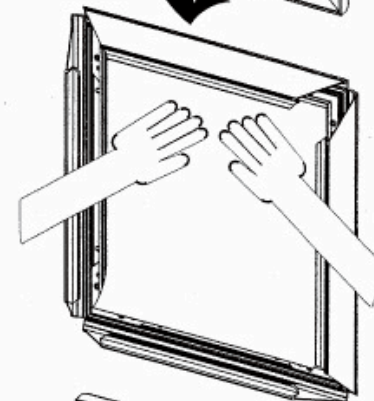


POSTER INSERTION:

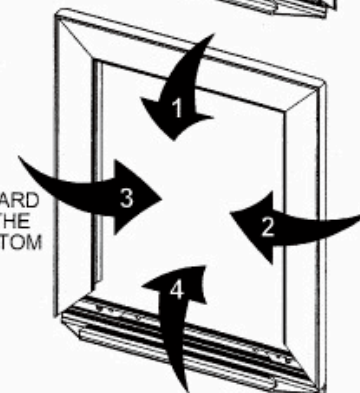
SNAP OPEN ALL FOUR SIDES BY LIFTING THE INSIDE EDGE



PLACE POSTER NEATLY AGAINST BACK OF FRAME



SNAP THE TOP MEMBER SHUT. SMOOTH THE POSTER DOWNWARD WITH YOUR HAND AND CLOSE THE SIDE MEMBERS, THEN THE BOTTOM MEMBER



NEXT LEVEL
CUSTOM SIGNS

<http://www.nextlevelsins.com>